

DRAWING NUMBER ISSUE
S-B9088BS-03



TITLE: 9088 LINE INPUT BOARD
 FILENAME: S-B9088BS-03.SCH
 DRAWN BY: PST
 DATE: 23/02/98
 CHECKED:
 LAYERS: SHT 1 OF 2

ISSUE DETAILS
 1. PRODUCTION ISSUE 24/12/97
 2. ECN0056 23/03/98
 3. ECN0590 09/04/02

DRAWING No WAS 088PB-02
 DIMENSIONS

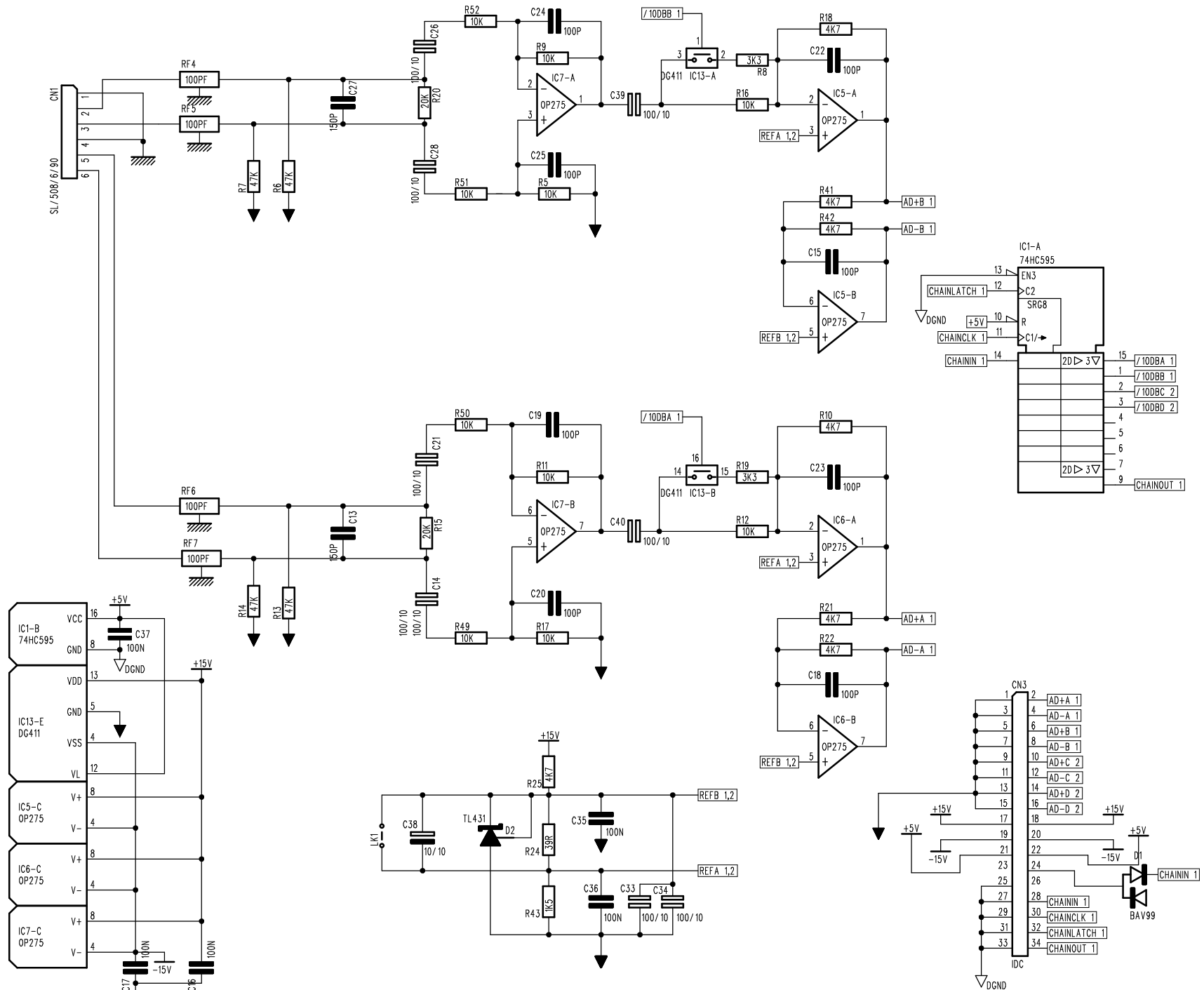
MATERIALS:

FINISH:

ARTWORK:

NOTES

THIS DRAWING IS THE COPYRIGHT OF BSS Audio Ltd. ALL REPRODUCTION AND COPYING, OTHER THAN THAT FOR LICENCED MANUFACTURERS OWN INTERNAL USE, OR DISCLOSURE OF PART OR WHOLE TO A THIRD PARTY WITHOUT PRIOR WRITTEN AUTHORISATION IS IN VIOLATION OF THE COPYRIGHT. © BSS Audio Ltd 1995



DRAWING NUMBER

ISSUE

S-B9088BS-03



HARMAN INTERNATIONAL
INDUSTRIES LIMITED
CRANBORNE HOUSE
CRANBORNE ROAD
POTTERS BAR
HERTS
EN6 3JN
Tel 01707 660667
Fax 01707 660755

BSS Audio

TITLE : 9088 LINE INPUT BOARD

FILENAME : S-B9088BS-03.SCH

DRAWN BY : PST

DATE : 23/02/98

CHECKED :

LAYERS : SHT 2 OF 2

ISSUE DETAILS

- 1. PRODUCTION ISSUE 24/12/97
- 2. ECN0056 23/03/98
- 3. ECN0590 09/04/02

DRAWING No WAS 088PB-02

DIMENSIONS

MATERIALS :

FINISH :

ARTWORK :

NOTES

THIS DRAWING IS THE COPYRIGHT OF BSS Audio Ltd. ALL REPRODUCTION AND COPYING, OTHER THAN THAT FOR LICENCED MANUFACTURES OWN INTERNAL USE, OR DISCLOSURE OF PART OR WHOLE TO A THIRD PARTY WITHOUT PRIOR WRITTEN AUTHORISATION IS IN VIOLATION OF THE COPYRIGHT. © BSS Audio Ltd 1995

